

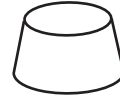
Dinosaur Attack

Signature Cake Cutting Instructions

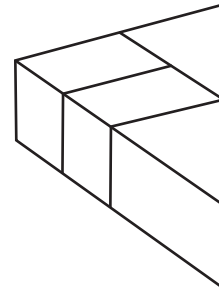
Cutting Directions Serves 25:

1. Start by removing the cupcake. Serve as an individual piece.
Serve - 1 piece.
2. Next cut the two triangle layers into four pieces each, two triangles and two rectangles.
Serve - 8 pieces.
3. The last step is to cut the bottom layer (1/4 sheet) both lengthwise and widthwise into sixteen equal pieces.
Serve - 16 pieces.

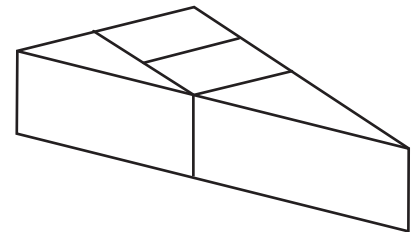
Cupcake - 1 piece



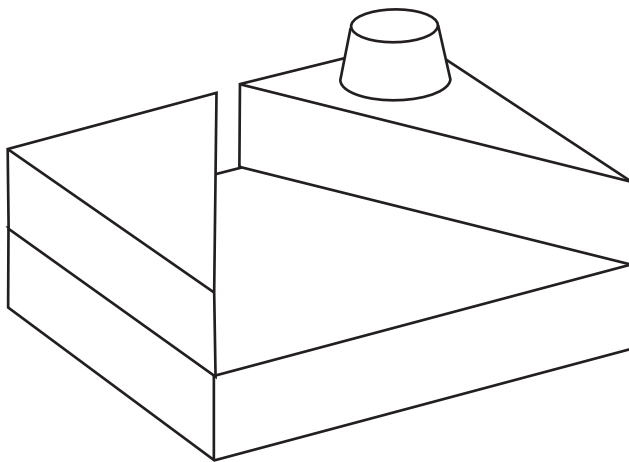
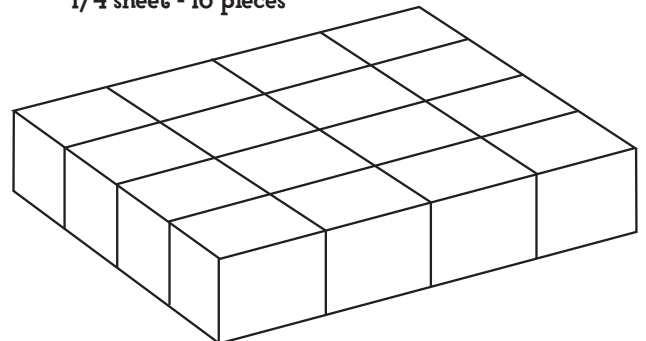
Triangle - 4 pieces



Triangle - 4 pieces



1/4 sheet - 16 pieces



DECOPAC

On Top of the World's Best Selling Cakes®