

Disney Fairies Fairy Friends

Signature Cake Cutting Instructions

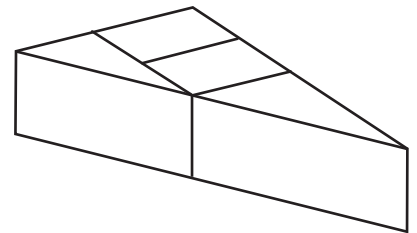
Cutting Directions Serves 29:

1. Remove cupcake.
Serve-1 piece.
2. Next cut the triangle layer into four pieces, two triangles and two rectangles.
Serve - 4 pieces.
3. Next cut the 1/8 sheet layer into eight equal pieces.
Serve - 8 pieces.
4. The last step is to cut the bottom layer (1/4 sheet) both lengthwise and widthwise into sixteen equal pieces.
Serve - 16 pieces.

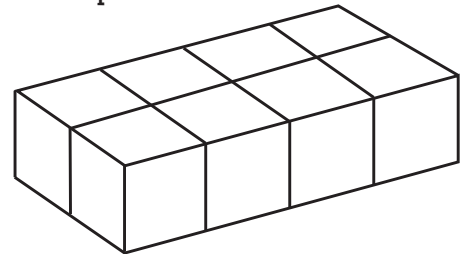
Cupcake - 1 piece



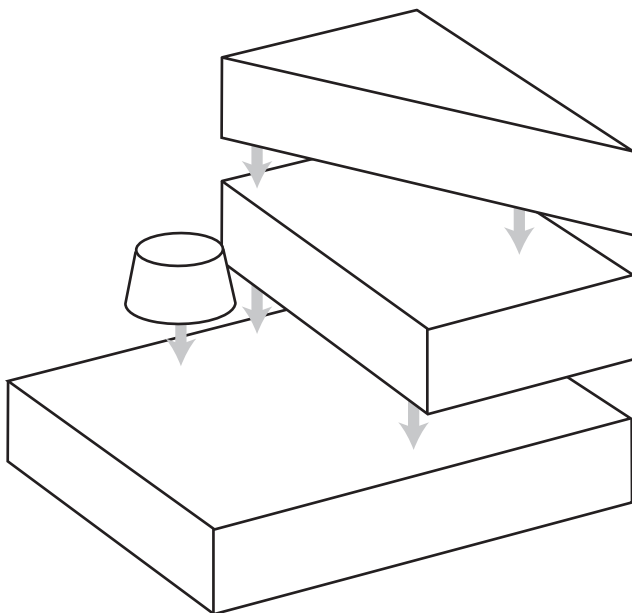
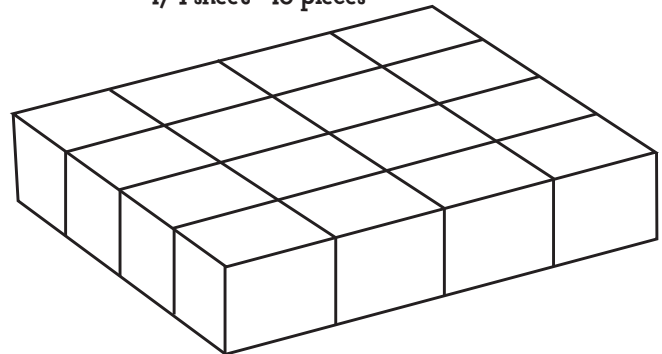
Triangle - 4 pieces



1/8 sheet - 8 pieces



1/4 sheet - 16 pieces



DECOPAC

On Top of the World's Best Selling Cakes®